

Contents

Important User Information	2	Required Tools	3
General	2	Hardware Parts List	4
Manufacturer	2	Workstation Components	5
Intended Use	2	Assembly	6
Warranty	2	Optional Rackmount Shelf Assembly	18
Safety Precautions	3		



Visit the Music Lab Workstations web page at wengercorp.com for more information.

Note: Please read and understand these instructions before assembling.
Note: If you need additional information, contact Wenger Corporation using the information below.

Important User Information

General

Copyright © 2023 by Wenger Corporation

All rights reserved. No part of the contents of this manual may be reproduced, copied, or transmitted in any form or by any means including graphic, electronic, or mechanical methods or photocopying, recording, or information storage and retrieval systems without the written permission of the publisher, unless it is for the purchaser's personal use.

Printed and bound in the United States of America.

The information in this manual is subject to change without notice and does not represent a commitment on the part of Wenger Corporation. Wenger Corporation does not assume any responsibility for any errors that may appear in these instructions.

In no event will Wenger Corporation be liable for technical or editorial omissions made herein, nor for direct, indirect, special, incidental, or consequential damages resulting from the use or defect of these instructions. The manufacturer reserves the right to change this product at any time.

The information in this document is not intended to cover all possible conditions and situations that might occur. The end user must exercise caution and common sense when assembling or installing Wenger Corporation products. If any questions or problems arise, call the Wenger Corporation at (800) 4WENGER (493-6437) or +1-507-455-4100 worldwide.

Manufacturer

The Select Lab Fixed Height Workstation is manufactured by:

Wenger Corporation
555 Park Drive
Owatonna, MN 55060
(800) 4WENGER (493-6437) • +1 (507) 455-4100
wengercorp.com

Intended Use

- This product is intended for indoor use in normal ambient temperature and humidity conditions — it must not be exposed to prolonged outside weather conditions.
- This product is intended to be assembled and used only as described in these instructions.

Warranty

This product is guaranteed free of defects in materials and workmanship for ten full years from date of shipment. A full warranty statement is available upon request.

Optional power strips, digital locks and other electronic equipment are covered by the individual manufacturer's warranty.

Safety Precautions

Throughout this document you may find cautions and warnings which are defined as follows:

- **WARNING:** Failure to follow the instruction could result in serious injury or damage to property.
- **CAUTION:** Failure to follow the instruction could result in minor injury or damage to property.

Read all of these safety instructions before using the equipment.

⚠ CAUTION

Make sure anyone assembling the Select Lab Workstation has read and understands these instructions.

⚠ CAUTION

Failure to comply with Warnings and Cautions in this document can result in damage to property or serious injury.

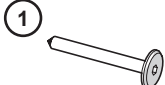
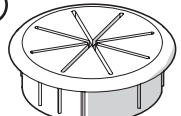
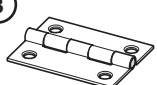



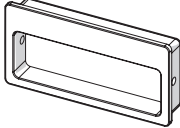






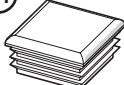
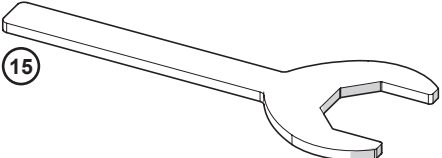












⚠ CAUTION

To avoid damage or injury, more than one person is needed for assembly.

Required Tools

- Phillips head screwdriver
- Rubber or plastic mallet
- 3/8" Open-end wrench or socket
- Drill
- Side cutter or scissors
- 3/16" Allen wrench (supplied)
- 5/32" Hex insert bit (supplied)
- 1-3/4" Caster wrench (supplied)

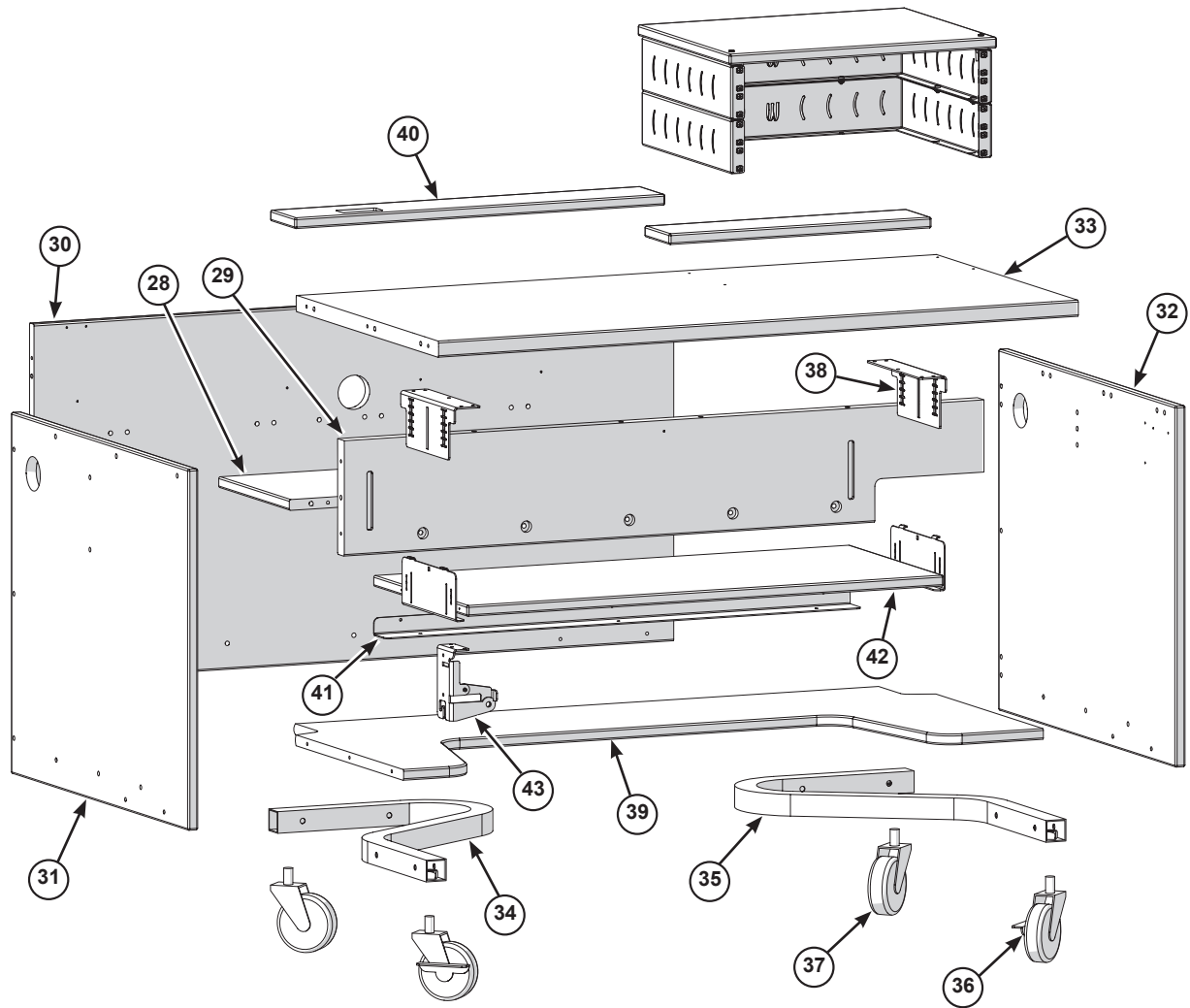
Hardware Parts List

- | | | | | | |
|---|---|---|---|--|--|
| <p>1</p>  <p>250A508
7 x 50 mm
Particle Board Screw
(color matched paint)</p> | <p>2</p>  <p>X003583
2-3/8" Grommet</p> | <p>3</p>  <p>X003706
2" 5-Knuckle
Hinge</p> | <p>4</p>  <p>X000045
#8 x 5/8"
Pan Head Screw</p> | <p>5</p>  <p>X002540
8 x 25 mm
Wood Dowel</p> | <p>6</p>  <p>100A444
Corner
Bracket</p> |
| <p>7</p>  <p>X003074
Flush Mount
Handle</p> | <p>8</p>  <p>X000824
#8-18 x 3/8"
Sheet Metal Screw</p> | <p>9</p>  <p>X003600
Wiring Clamp</p> | <p>10</p>  <p>X001503
#10-16 x 3/4"
Sheet Metal Screw</p> | <p>11</p>  <p>X002971
1/4-20 x 1/2"
Carriage Bolt</p> | |
| <p>12</p>  <p>X003110
1/4-20
Wing Nut</p> | <p>13</p>  <p>X001442
1/4 x 47/64"
Flat Washer</p> | <p>14</p>  <p>X001484
1-1/2" Plug</p> | <p>15</p>  <p>100A534
1-3/4" Caster Wrench</p> | <p>16</p>  <p>X000482
#8 x 5/8
Sheet Metal Screw</p> | |
| <p>17</p>  <p>X003730
1/4-20 x 1.97
Machine Screw</p> | <p>18</p>  <p>225D234
Door Stop
Bracket</p> | <p>19</p>  <p>X003456
Push-In
Bumper</p> | <p>20</p>  <p>X003741
1/4-20
Cap Nut</p> | <p>21</p>  <p>X003738
#6 x 3/4"
Flat Head Screw</p> | <p>22</p>  <p>X001948
3/16"
Allen Wrench</p> |
| <p>23</p>  <p>X001962
5/32" Hex
Insert Bit</p> | <p>24</p>  <p>X003751
8-32
Hex Nut</p> | <p>25</p>  <p>X002998
4" Nylon Tie</p> | <p>26</p>  <p>X003743
1/4-20 x 0.708"
Machine Screw</p> | <p>27</p>  <p>250A508
7 x 50 mm
Particle Board Screw
(black paint)</p> | |

*Quantities may vary, extras can be discarded.

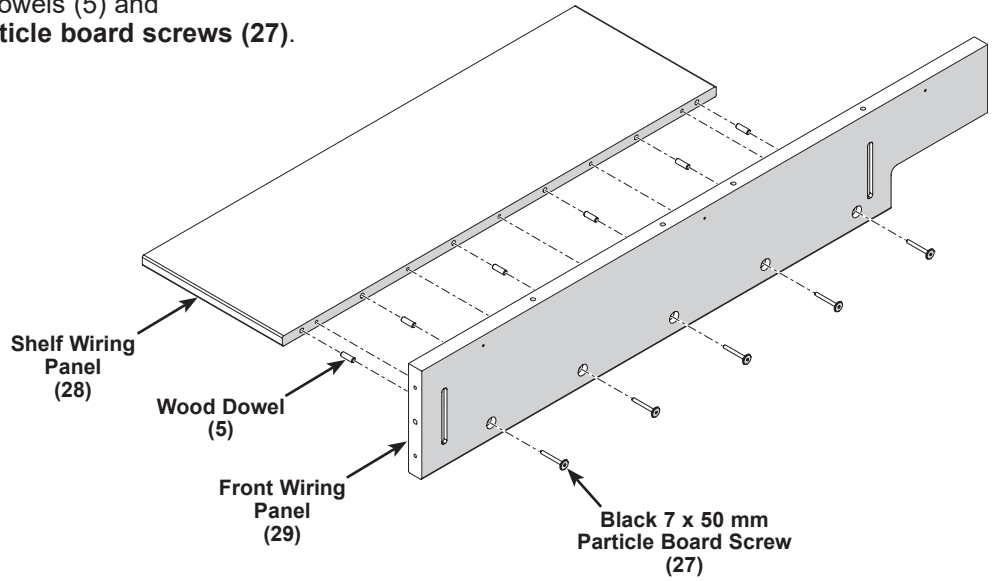
Workstation Components

Item	Description	Item	Description
28	Shelf Wiring Panel	36	Swivel Caster with Brake
29	Front Wiring Panel	37	Standard Swivel Caster
30	Back Panel	38	Adjustable Keyboard Bracket
31	Left Side Panel	39	Bottom Fixed Shelf
32	Right Side Panel	40	Wiring Access Door
33	Desktop	41	Stiffener
34	Left Side Fixed Tube	42	Pullout Panel
35	Right Side Fixed Tube	43	Headphone Mount

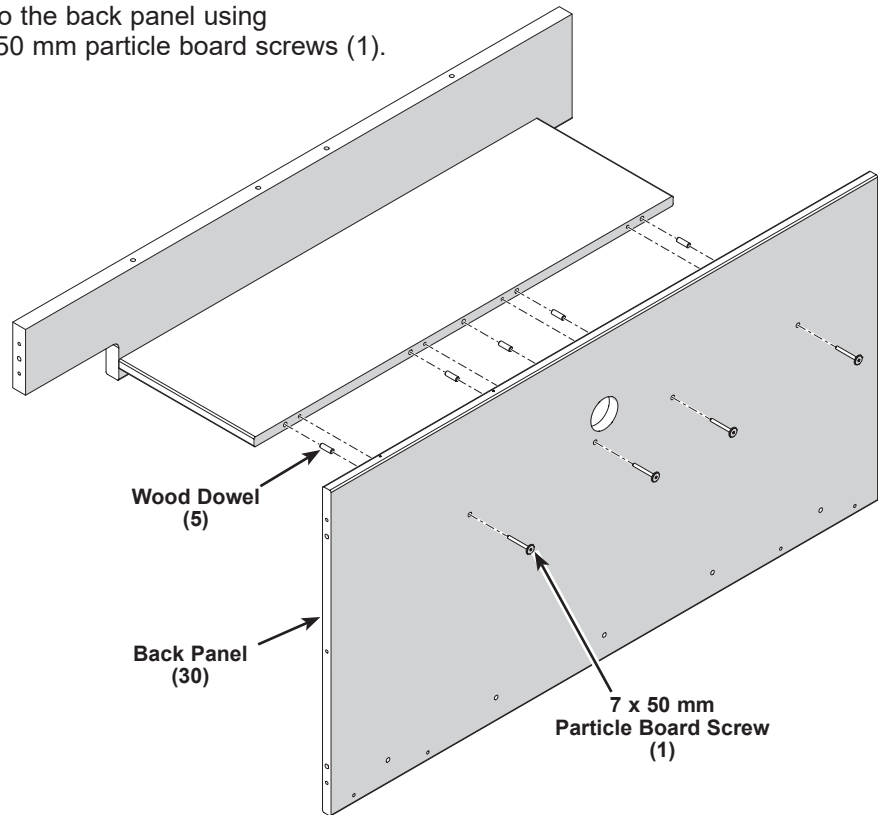


Assembly

1. Connect the shelf wiring panel (28) and front wiring panel (29) together using six wood dowels (5) and five **black 7 x 50 mm particle board screws (27)**.

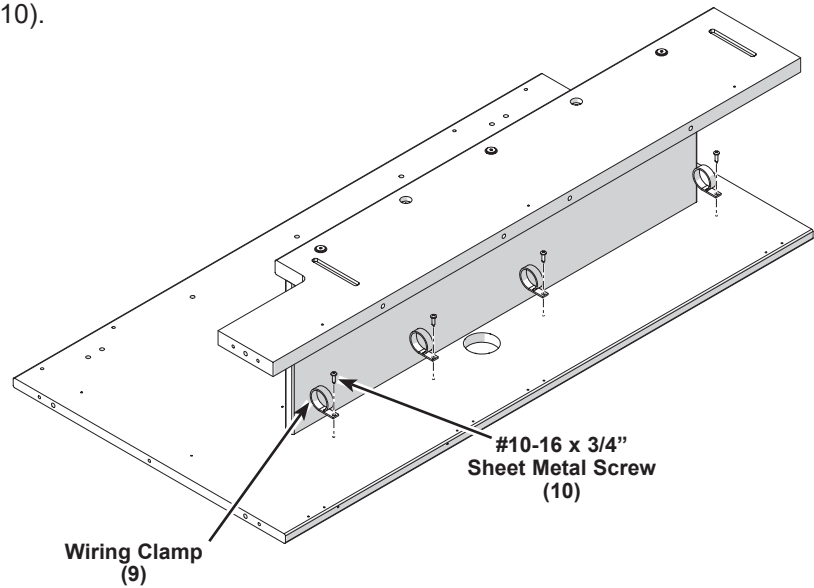


2. Attach the shelf wiring panel (30) to the back panel using five wood dowels (5) and four 7 x 50 mm particle board screws (1).

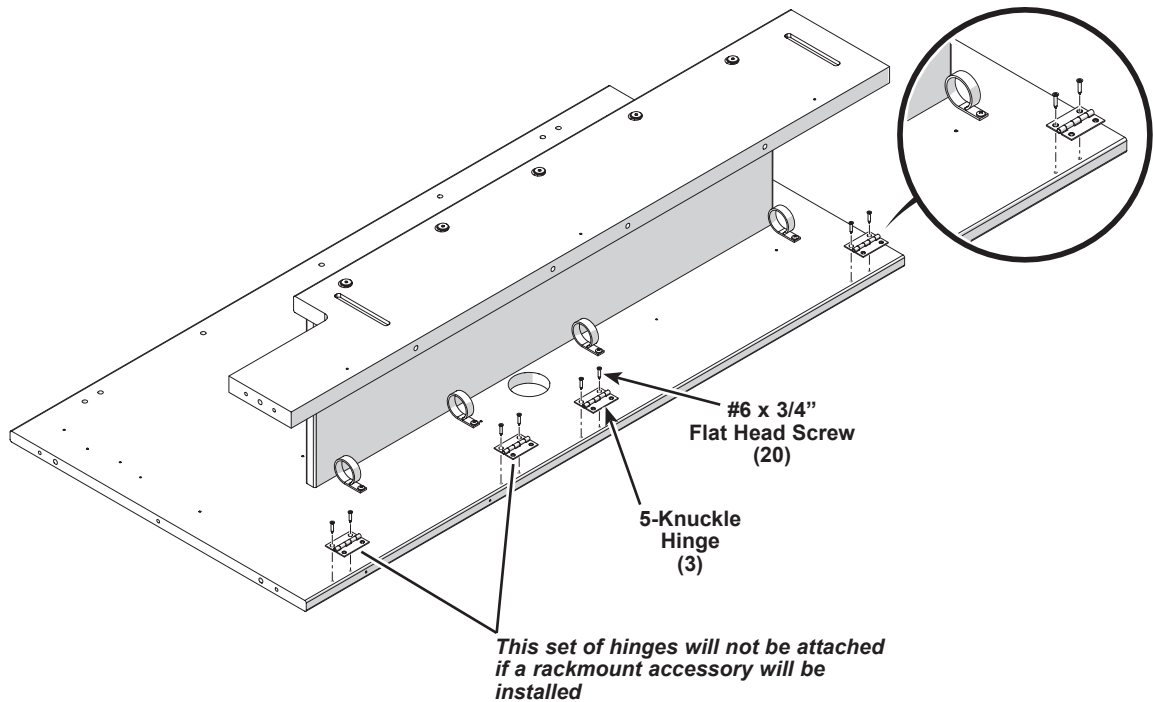


Assembly (continued)

3. Attach four wiring clamps (9) to the back panel using four #10-16 x 3/4" sheet metal screws (10).



4. Attach two sets of 5-knuckle hinges (3) to the back panel using two #6 x 3/4" flat head screws (21). Only one set of hinges will be attached if an optional rackmount shelf accessory will be installed. Be sure that the screws are seated flush with the hinges.

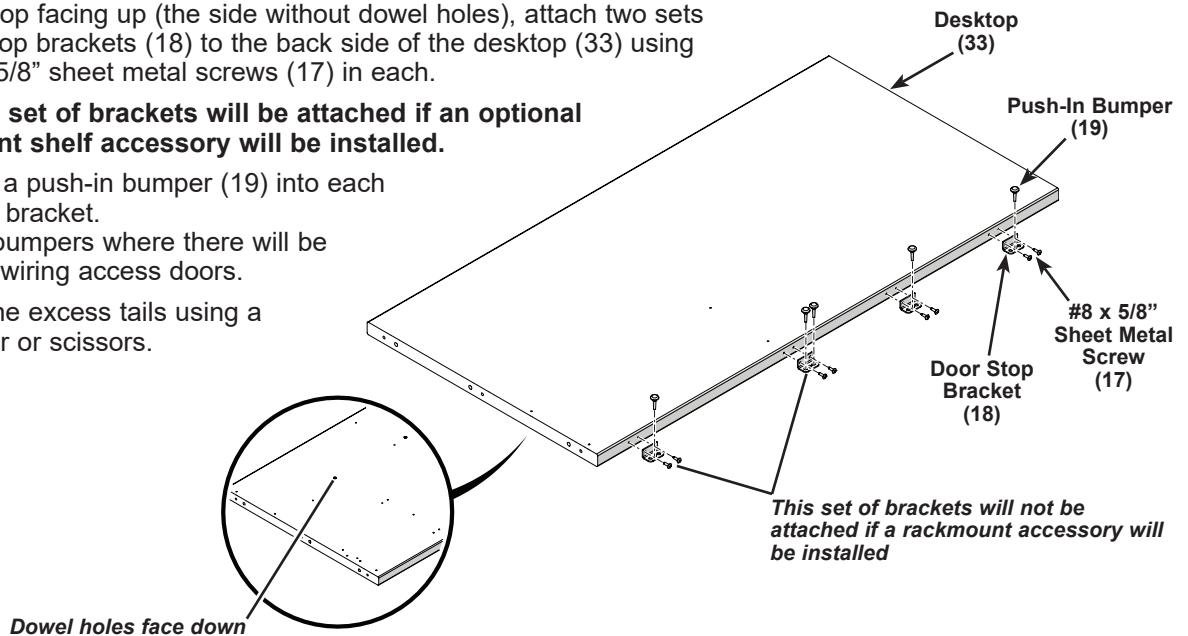


Assembly (continued)

5. With the top facing up (the side without dowel holes), attach two sets of door stop brackets (18) to the back side of the desktop (33) using two #8 x 5/8" sheet metal screws (17) in each.

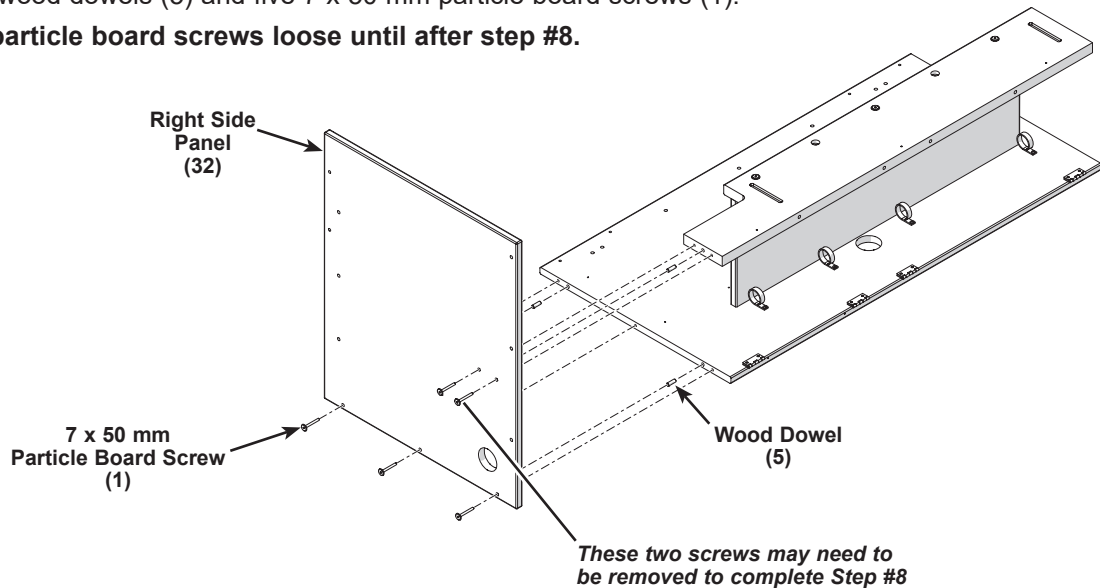
Only one set of brackets will be attached if an optional rackmount shelf accessory will be installed.

6. Push/pull a push-in bumper (19) into each door stop bracket.
Use two bumpers where there will be adjoining wiring access doors.
Trim off the excess tails using a side cutter or scissors.



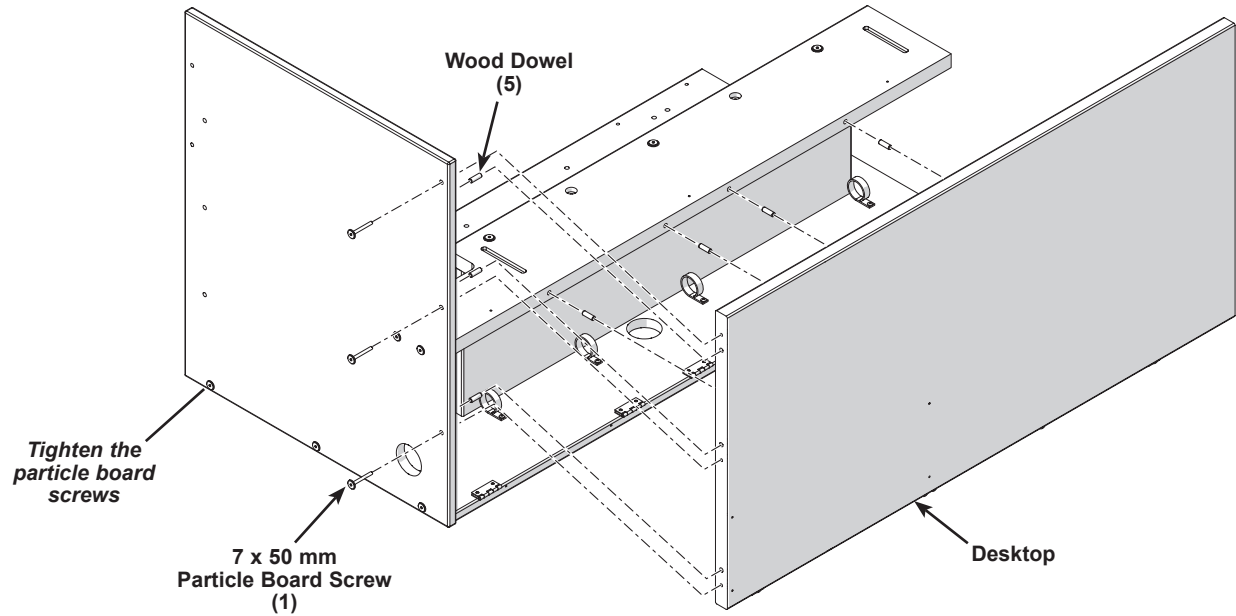
7. Attach the front wiring panel and back panel assembly to the right side panel (32) using three wood dowels (5) and five 7 x 50 mm particle board screws (1).

Leave the particle board screws loose until after step #8.



Assembly (continued)

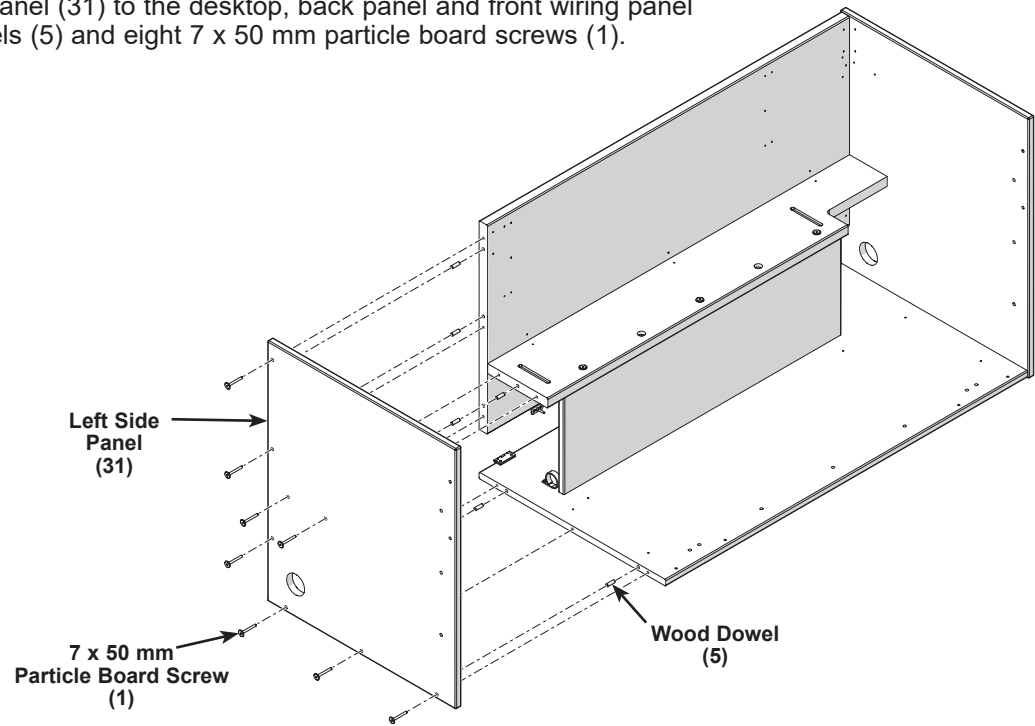
8. Use more than one person to attach the desktop to the front wiring panel and right side panel using seven wood dowels (5) and three 7 x 50 mm particle board screws (1).



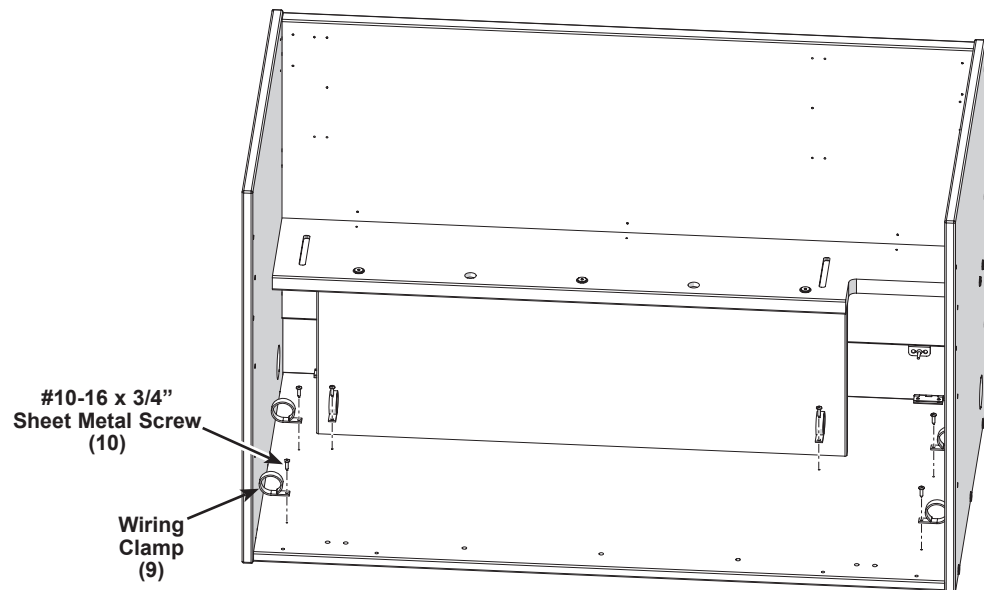
9. Tighten the particle board screws installed in Step #7.

Assembly (continued)

10. Attach the left side panel (31) to the desktop, back panel and front wiring panel using six wood dowels (5) and eight 7 x 50 mm particle board screws (1).

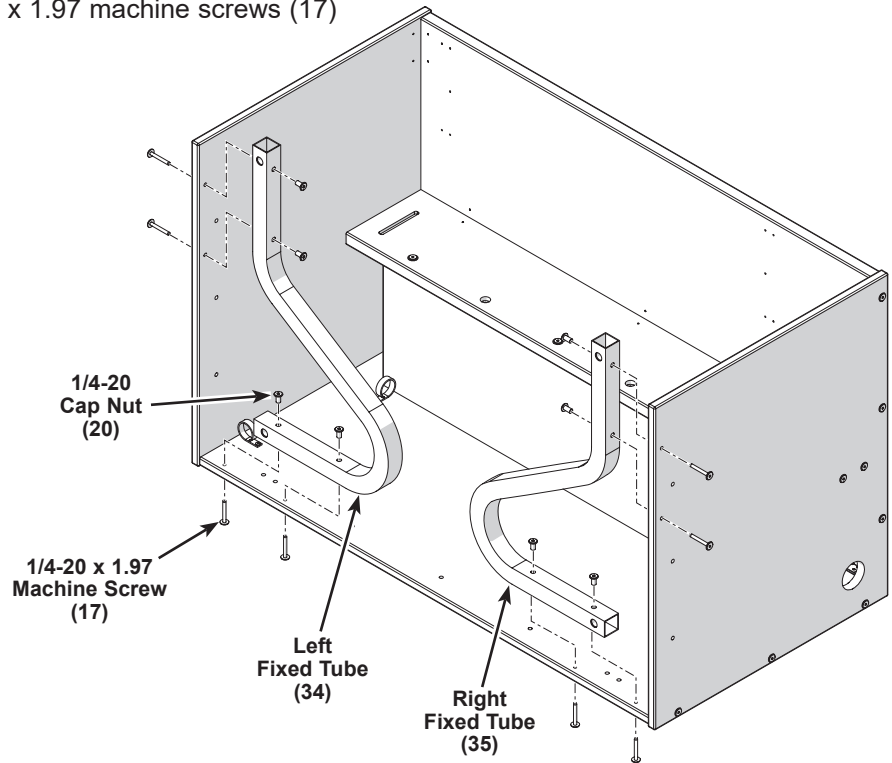


11. Attach six wiring clamps (9) to the back panel using six #10-16 x 3/4" sheet metal screws (10).



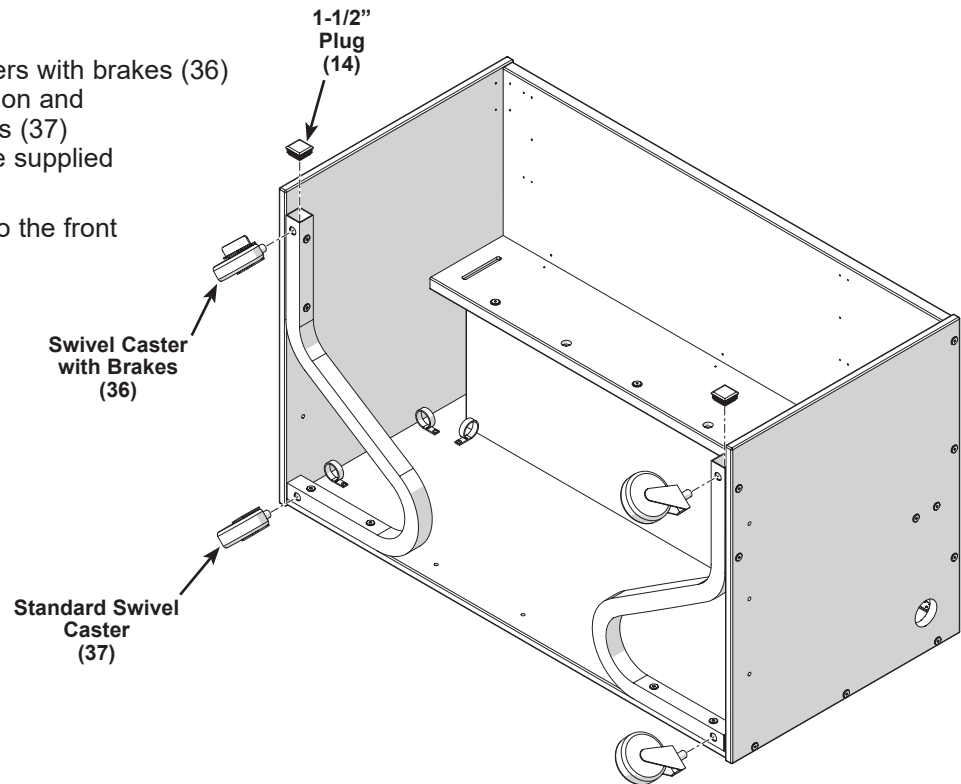
Assembly (continued)

12. Attach the left fixed tube (34) and right fixed tube (35) to the assembly using four 1/4-20 x 1.97 machine screws (17) and 1/4-20 cap nuts (20) in each.



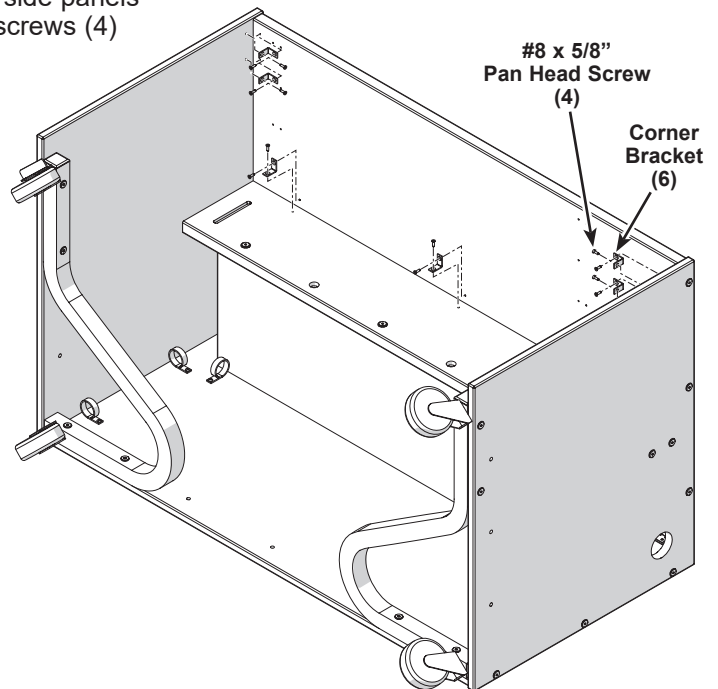
13. Attach the two swivel casters with brakes (36) to the front of the workstation and two standard swivel casters (37) to the fixed tubes using the supplied caster wrench (15).

14. Push a 1-1/2" plug (14) into the front of both fixed tubes.



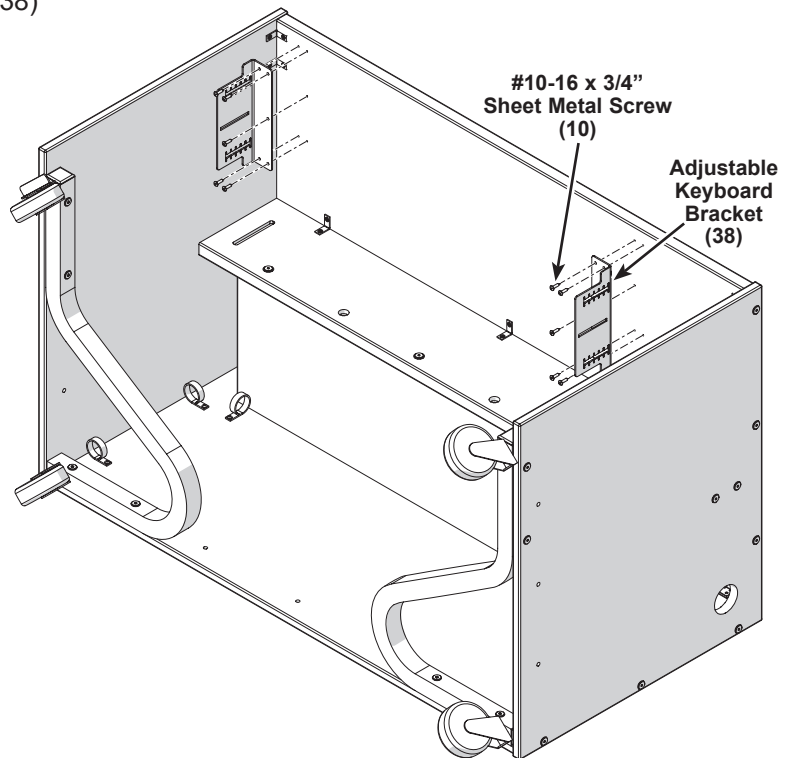
Assembly (continued)

15. Attach seven corner brackets (6) to the desktop, side panels and front wiring panel using #8 x 5/8" pan head screws (4) in each.



16. Attach two adjustable keyboard brackets (38) to the bottom of the desktop using five #10-16 x 3/4" sheet metal screws (10) in each.

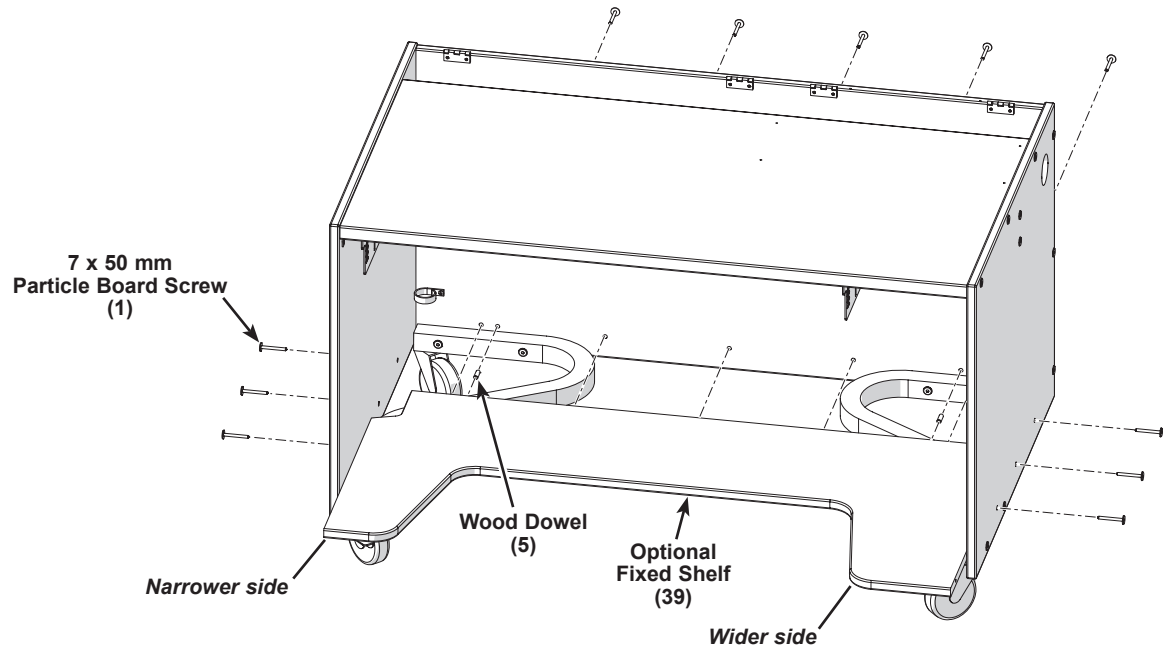
17. Tip the assembly onto the casters.



Assembly (continued)

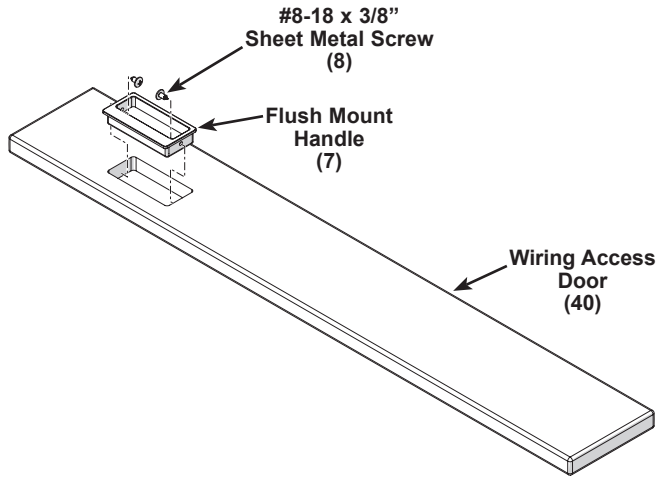
18. If attaching the optional fixed shelf (39):

- a. Keep the narrower side of the shelf at the same side as the keyboard brackets (this leaves room for a computer tower on the wider side of the shelf).
- b. Lay the shelf onto the frame tubes and attach to the side and back panels using two wood dowels (5) at the back and eleven 7 x 50 mm particle board screws (1).



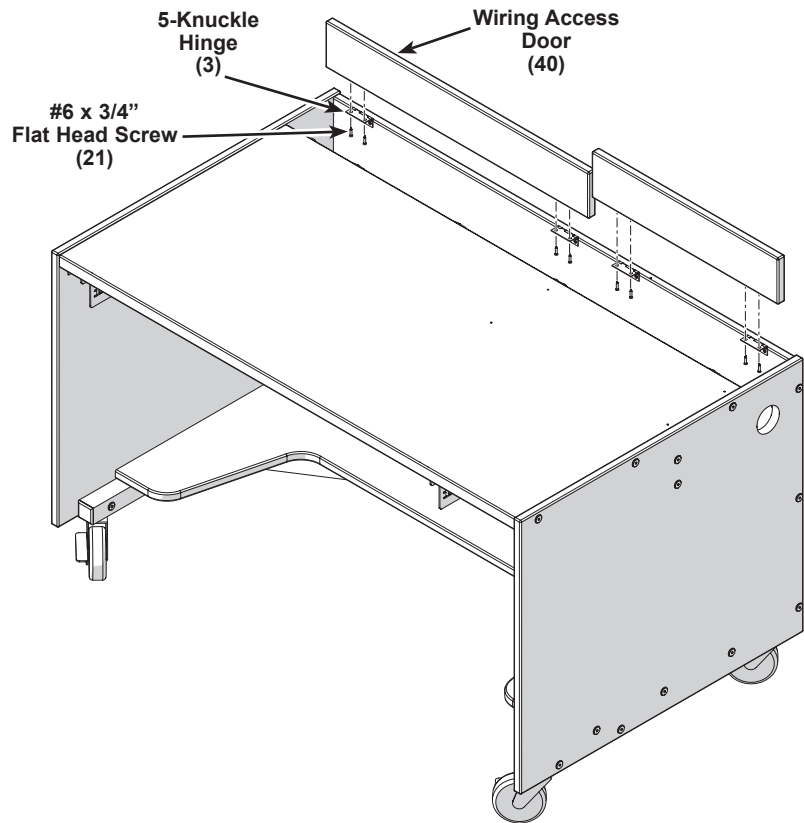
Assembly (continued)

19. Attach the flush mount handle (7) to the longer wiring access door (40) using two #8-18 x 3/8" sheet metal screws (8).



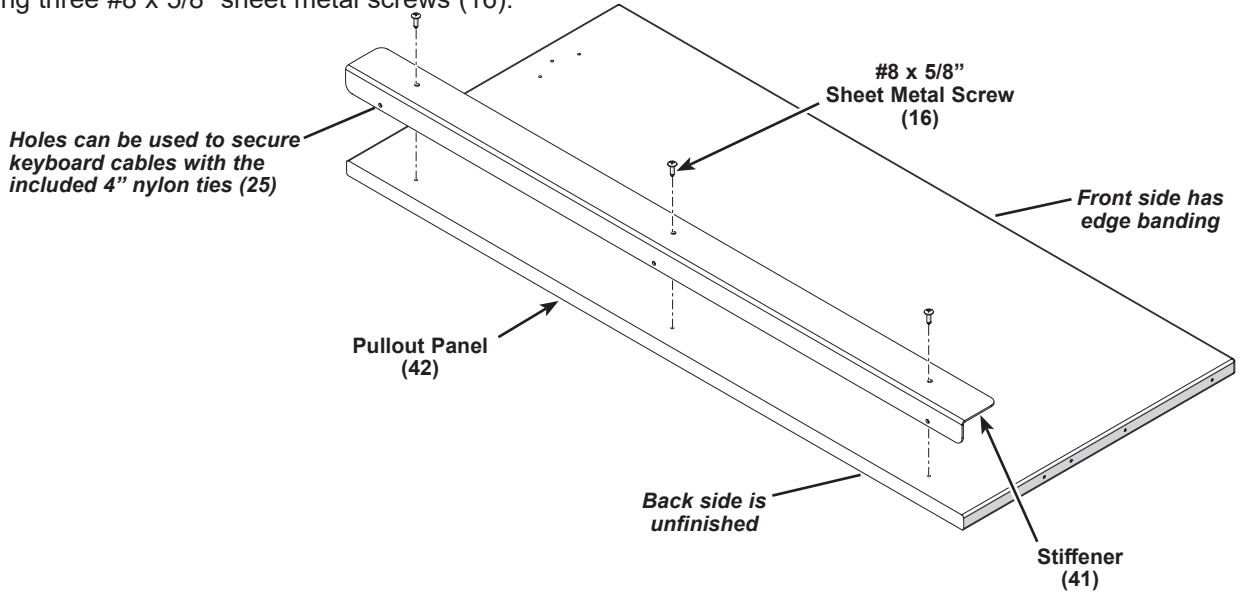
20. Attach a wiring access door (40) to each set of hinges in the back panel using two #6 x 3/4" flat head screws (21).

Be sure that the screws are seated flush with the hinges.

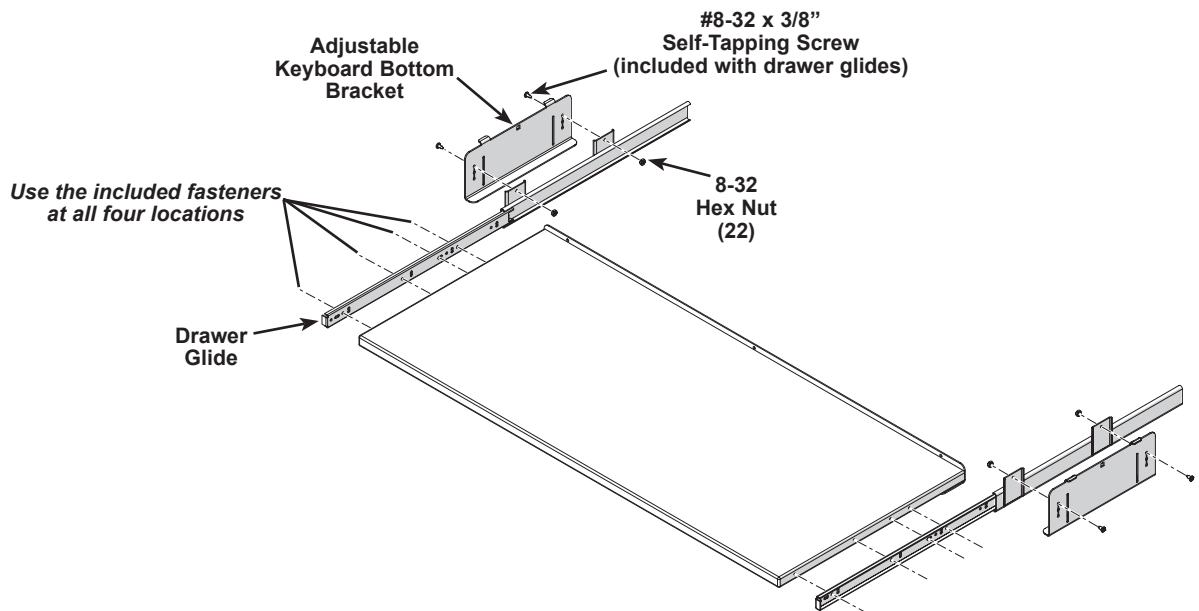


Assembly (continued)

21. Attach a stiffener (41) to the bottom on the back side of the pullout panel (42) using three #8 x 5/8" sheet metal screws (16).

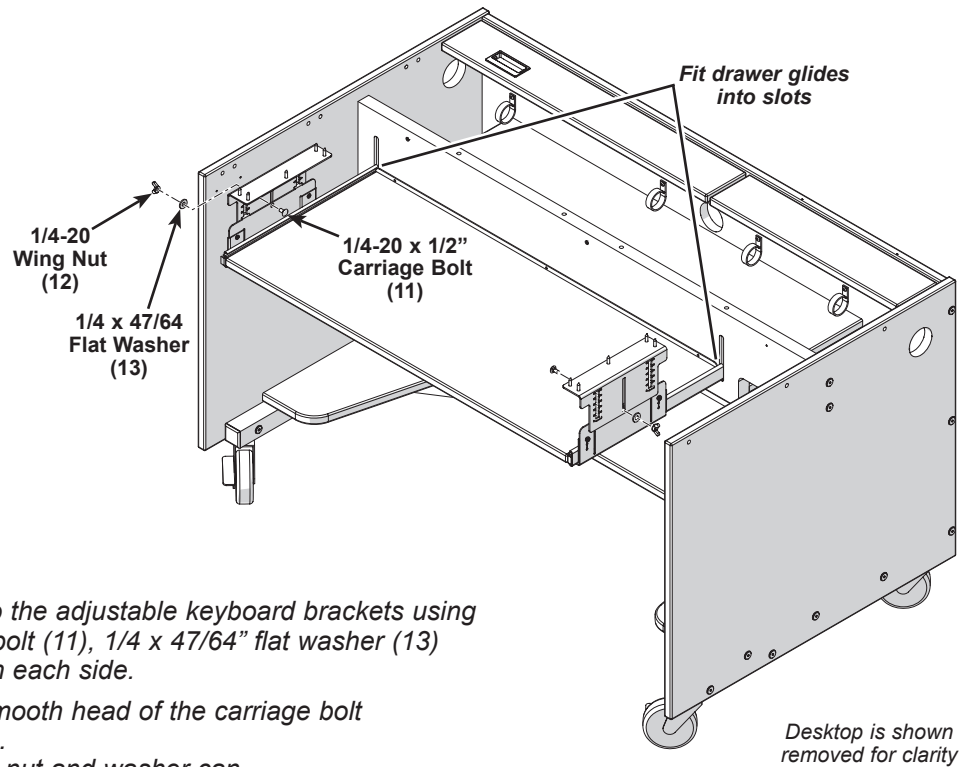


22. Extend the drawer glides and attach one to each side of the pullout panel using the included fasteners at all four locations.
23. Attach the adjustable keyboard bottom brackets to the drawer glides using a #8-32 x 3/8" self-tapping screw (included with drawer glides) and a 8-32 hex nut (24) on each side.



Assembly (continued)

24. Fit the back of both drawer glides into the slots of the front wiring panel.



Attach the pullout drawer to the adjustable keyboard brackets using one 1/4-20 x 1/2" carriage bolt (11), 1/4 x 47/64" flat washer (13) and 1/4-20 wing nut (12) on each side.

It is preferred to face the smooth head of the carriage bolt toward the inside as shown.

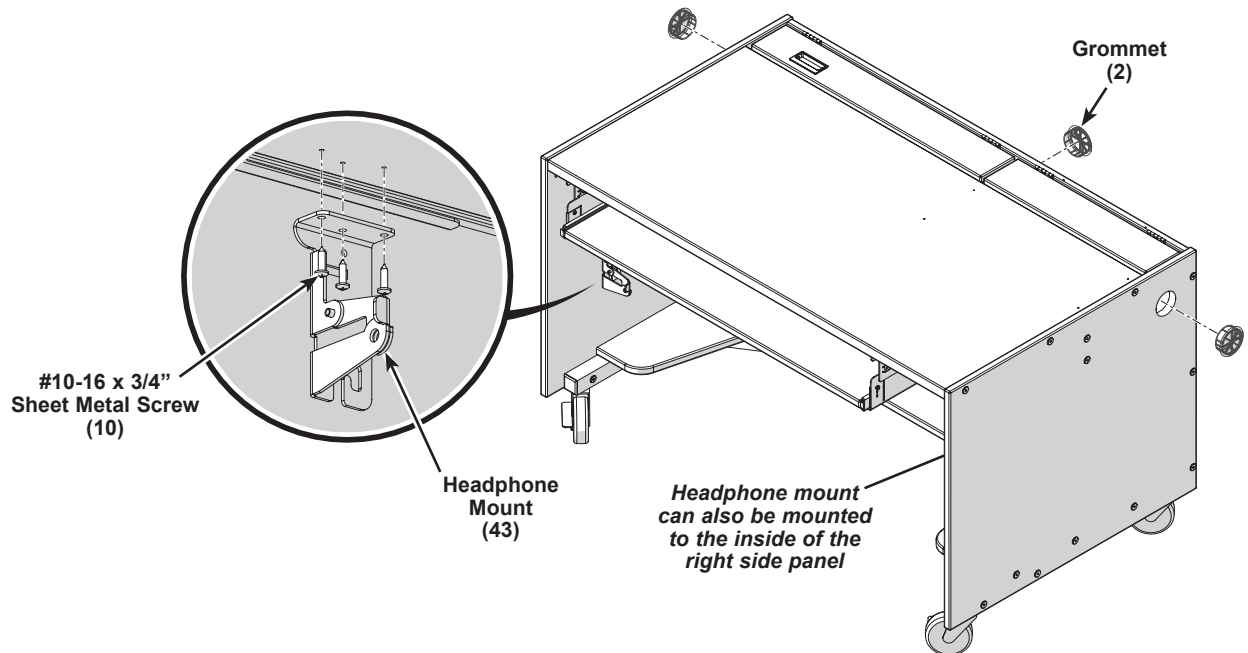
If space is limited, the wing nut and washer can face the inside but there may be an issue with snagging.

Assembly (continued)

25. Attach headphone mount to the bottom of the pullout drawer using three #10-16 x 3/4" sheet metal screws (10).

Headphone mount (43) can also be attached to the inside of the right side panel.

26. Insert grommets (2) into the left, right and back panels.



Optional Rackmount Shelf Assembly

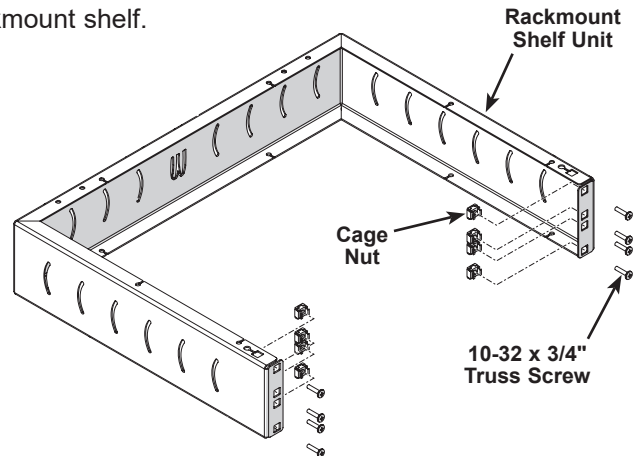
NOTICE

If installing the optional rackmount shelf assembly, the smaller wiring access door and hinges must be removed.

1. Clip the cage nuts into the front of each individual rackmount shelf.

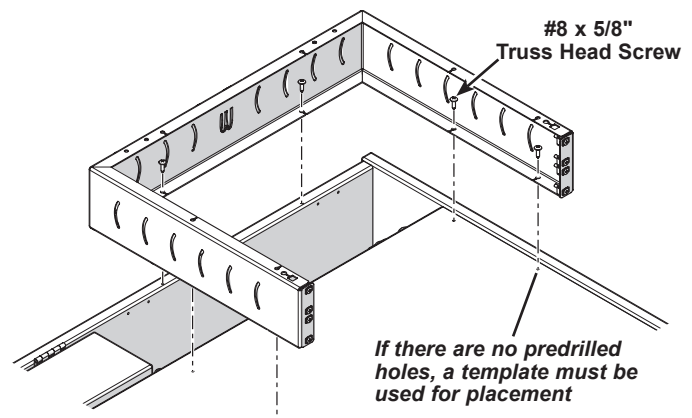
10-32 X 3/4" truss screws are included to secure electronic components into the rackmount.

The deepest electronic components should be installed at the bottom rackmount shelf.

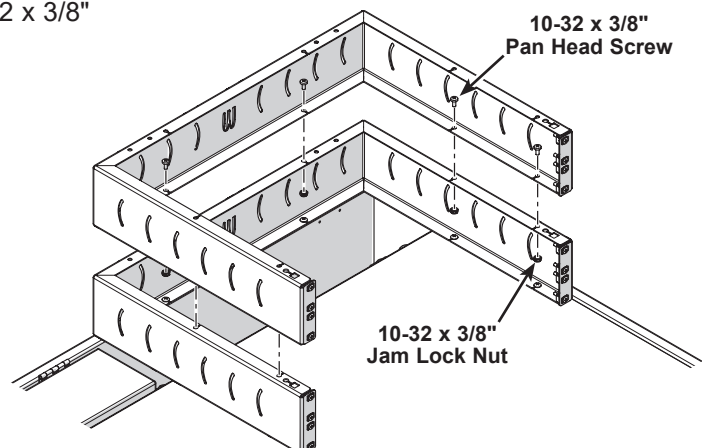


2. Attach the rackmount shelf to the desktop using six #8 x 5/8" truss head screws.

If there are no existing predrilled holes, a template must be used for placement.



3. Connect additional shelving units using six #10-32 x 3/8" pan head screws and 10-32 jam lock nuts.

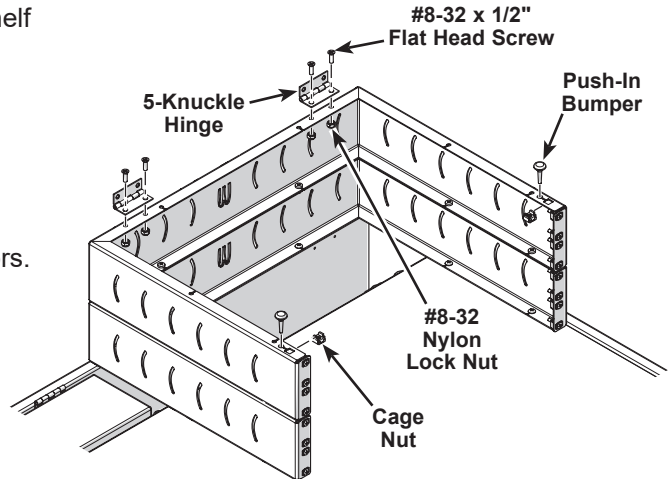


Optional Rackmount Shelf Assembly (continued)

- Attach two 5-knuckle hinges to the top rackmount shelf using two #8-32 x 1/2" flat head screws and two #8-32 nylon lock nuts in each.

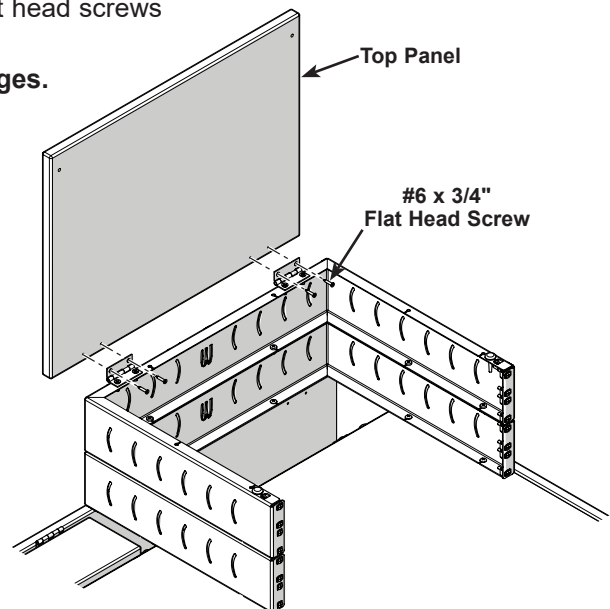
Be sure that the screws are seated flush with the hinges.

- Push/pull two push-in bumpers into the front of the rackmount.
Trim off the excess tails using a side cutter or scissors.
- Clip the two cage nuts into the top at the front of the top rackmount shelf.

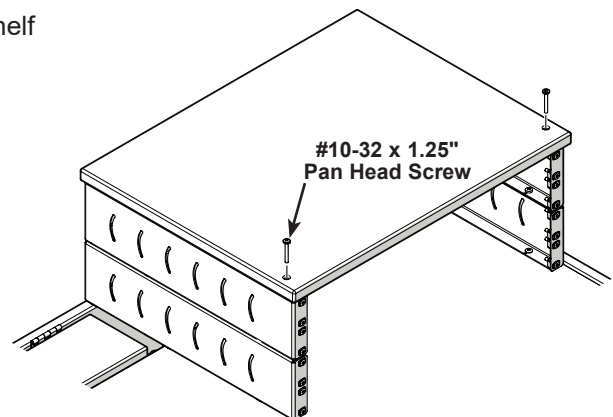


- Attach the top panel to the hinges using two #6 x 3/4" flat head screws in each hinge.

Be sure that the screws are seated flush with the hinges.



- Close the top panel and secure it to the top rackmount shelf using two #10-32 x 1.25" pan head screws.



This page is intentionally blank.